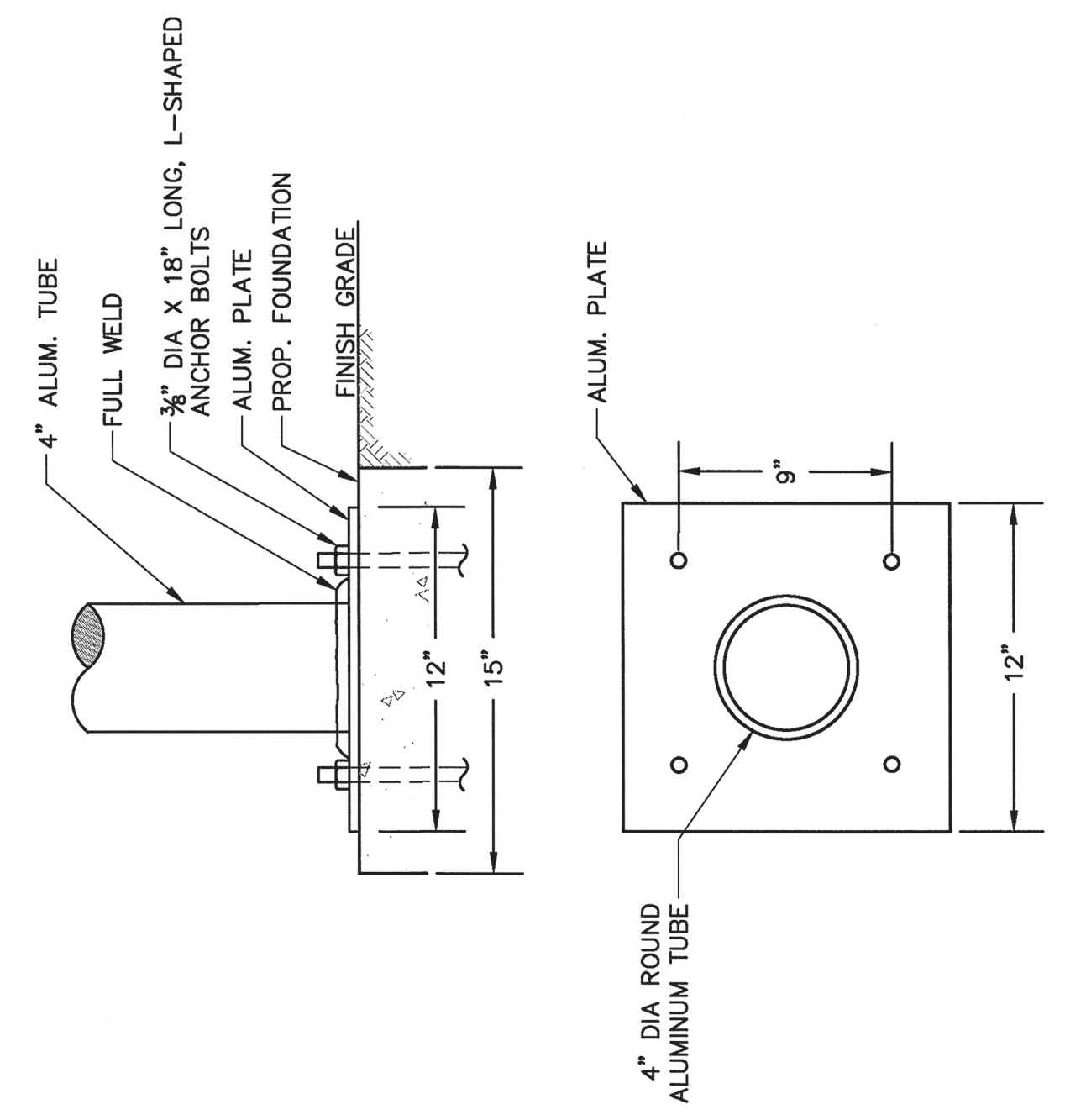


SIGN DETAILS:
 TEXT FONT: FUTURA STD MEDIUM
 FONT COLOR: FUTURA STD MEDIUM
 BACKGROUND COLOR: PANTONE 574 C
 ARROW/LINE COLOR: PANTONE 121 M

NOTES:
 1. ALL SIGN DIMENSIONS ARE TYPICAL UNLESS OTHERWISE NOTED.
 2. MOUNTED ON 2" x 2" SQ. STEEL POST.

P-SERIES SIGNS
 NOT TO SCALE



ANCHOR PLATE DETAIL
 NOT TO SCALE

SIGN DETAILS:
 WELCOME TO FONT: FUTURA STD MEDIUM
 TEXT FONT: FUTURA STD MEDIUM
 FONT COLOR: PANTONE 121 M
 BACKGROUND COLOR: PANTONE 574 C
 ARROW/LINE COLOR: PANTONE 121 M
 TOP GRAPHICS COLOR: PANTONE 121 M

- NOTES:**
- SUBMIT SIGN DRAWINGS OF SIGN PANELS AND SUPPORTS, FASTENERS, AND PAINT COLOR SAMPLES FOR APPROVAL.
 - ALL WELD SHALL BE GROUND SMOOTH.
 - ALUMINUM TUBE FRAME SHALL RECEIVE A BLACK POWDER COAT FINISH.
 - ALL SIGN DIMENSIONS ARE TYPICAL UNLESS OTHERWISE NOTED.
 - FINAL LOCATION OF PROPOSED SIGNS SHALL BE DETERMINED BY THE CITY OF BOSTON AND ENGINEER PRIOR TO INSTALLATION.
 - EXPPOSED ANCHOR BOLTS AND NUTS SHALL BE PAINTED BLACK.
 - THE CONTRACTOR SHALL PREPARE A PROTOTYPE AND SUBMIT TO THE CITY FOR APPROVAL PRIOR TO ORDERING THE SIGNS.

WAYFINDING SIGNS
 NOT TO SCALE

C.I.P. 13-23
 SHEET 22 OF 37

CITY OF BOSTON PUBLIC WORKS DEPARTMENT
 ENGINEERING DIVISION
 COLUMBIA ROAD
 ROADWAY AND TRAFFIC SIGNAL IMPROVEMENTS
UPHAM'S CORNER
WAYFINDING SIGNAGE PLAN

SCALE: AS NOTED
 DISTRICT: 3
 AREA: 3
 DATE: AUGUST 16, 2013

CITY ENGINEER
[Signature]

DESIGNED BY: *[Signature]*
 Nitsch Engineering

www.nitscheng.com
 2 Center Plaza, Suite 430
 Boston, MA 02108
 T: (617) 388-0063
 F: (617) 388-8472

DESIGNED FOR GENERAL DESIGN AND CONFORMITY TO CITY STANDARDS
 BOSTON PUBLIC WORKS DEPARTMENT
[Signature]

DESIGNED BY: NITSCH
 DRAWN BY: C. BREEN
 CHECKED BY: J. BLUMENTHAL
 APPROVED BY: F. HUSSEINI

R- 3481-22